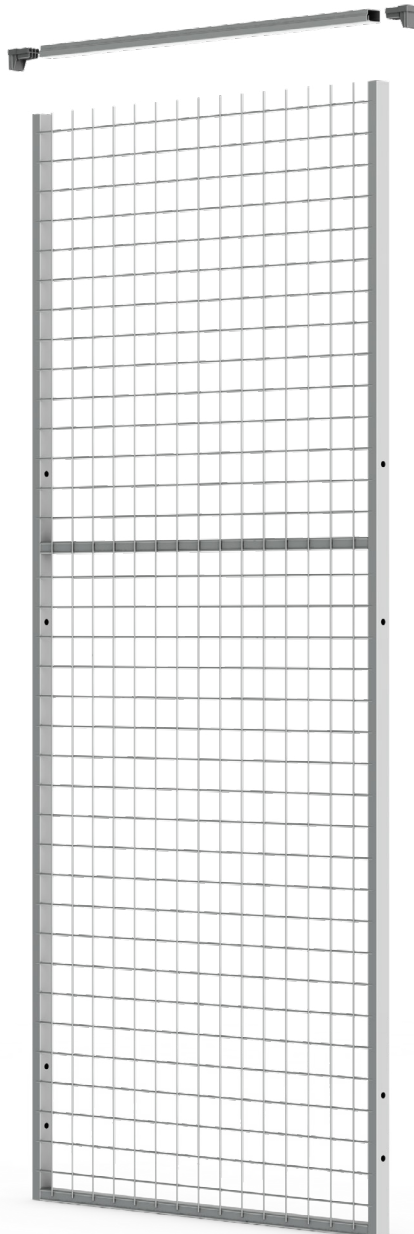


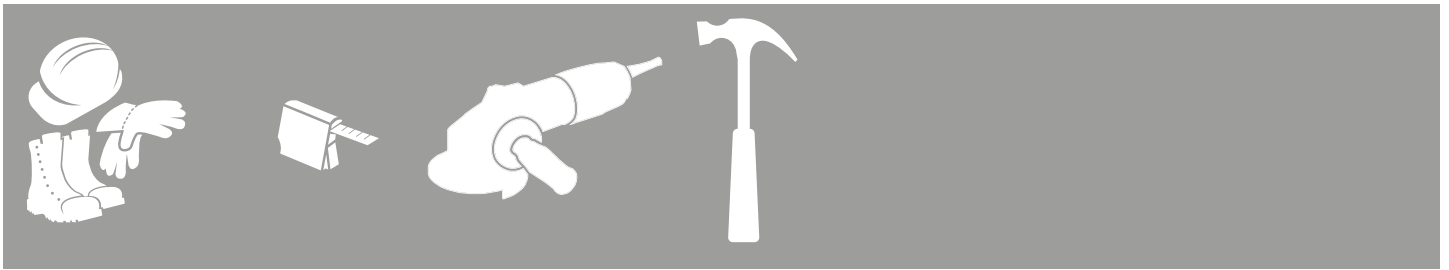


ASSEMBLY INSTRUCTION
– JUST FOLLOW ME

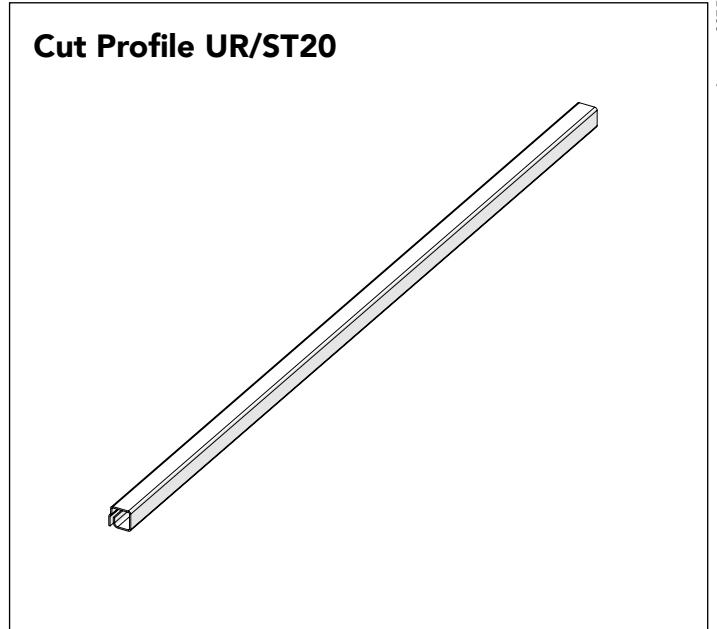
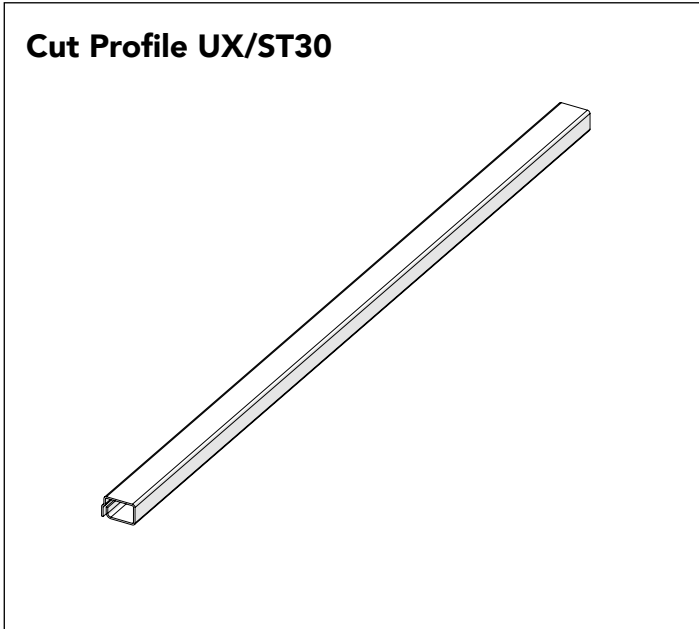
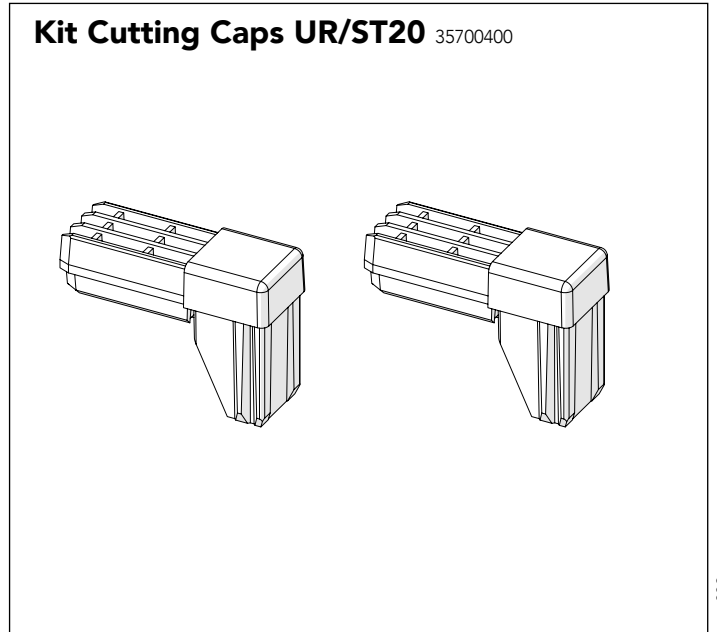
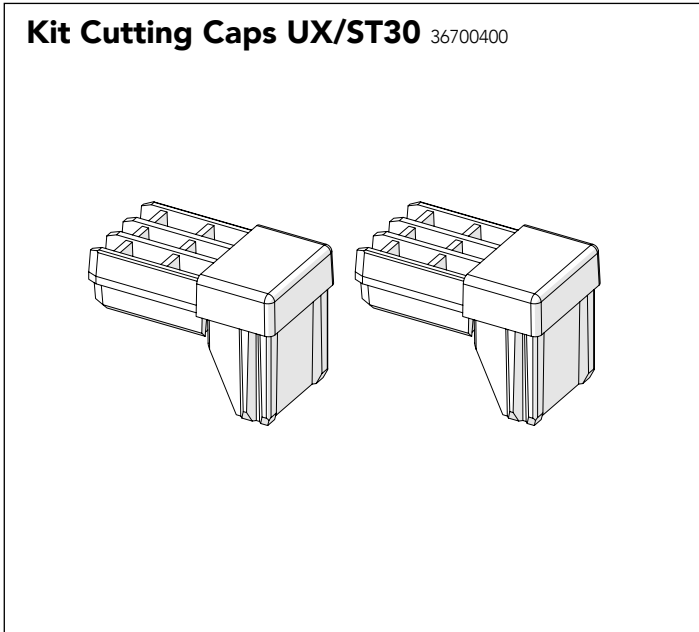
CUT PROFILE HEIGHT UR/UX

KIT 36700400, 35700400





Kit Cutting caps



Art no: 88754294 ver. 002

